

Ersatzteilliste

Düsenwagen R 30



Figure 1. Chassis (R18, R24, R30)

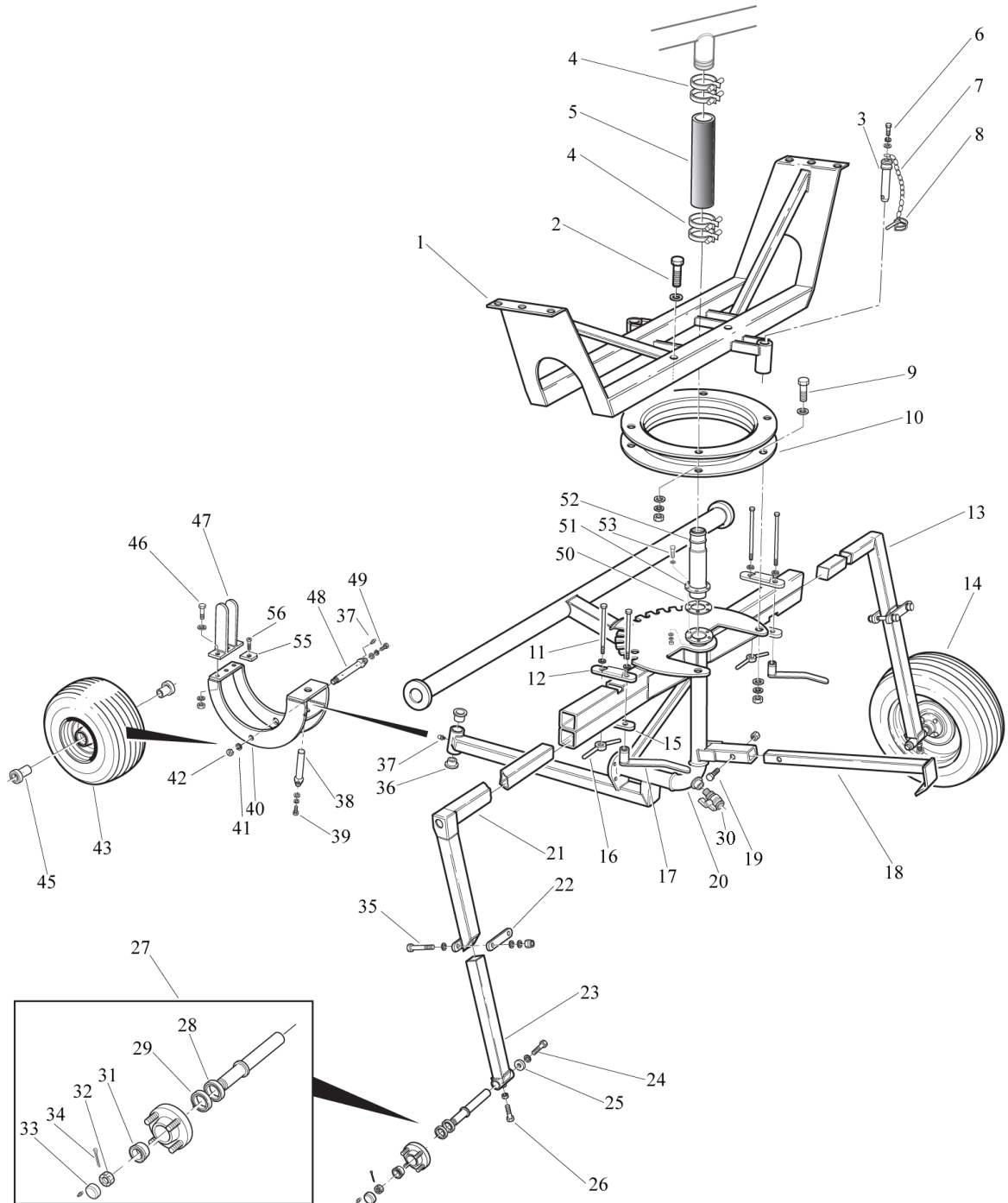


Table 1. Chassis (R18, R24, R30)

Item	Description	Part No.	Qty
1	Centre section carrying frame (1.9m)	30/1700/1	1
1a	Centre section carrying frame (1.5m)	30/1719/1	1
2	M12 x 30 bolt, flat/spring washer & nut	30/142/1	2
3	Boom locking pin	30/1701/1	1
4	Hose clamp 73 – 79	30/053/1	4
5	2 ½” wire helix hose	30/1718/1	1
6	M8 x 16 bolt, flat & spring washers	30/109/1	1
7	Boom locking pin – chain	30/017/1	1
8	Linch pin	30/014/1	1
9	M12 x 35 bolt, flat/spring washer & nut	30/143/1	4
10	Turntable	30/1702/1	1
11	M16 x 200 bolt	30/262/1	4
12	Outer leg clamp plate - Top	30/1710/1	2
13	Outer leg (left)	30/1704/1	1
14	Rear wheel 6.5/80-12 4PR	30/1741/1	2
15	Outer leg clamp plate - Bottom	30/1708/1	2
16	Wing nut	30/1709/1	2
17	Locking handle	30/1707/1	2
18	Tow out bar	30/1706/1	1
19	M12 x 80 bolt, flat/spring washer & nut	30/237/1	1
20	Chassis (including water feed pipe)	30/1735/1	1
21	Outer leg (right)	30/1703/1	1
22	Clamp plate for Inner Leg	30/1715/1	2
23	Inner leg	30/1716/1	2
24	M10 x 30 bolt & spring washer	30/132/1	2
25	M10 Special washer	30/1357/1	2
26	M12 x 35 bolt & locknut	30/143/1	2
27	Complete hub and stub assembly (from Feb 2014)	30/250/1A	2
28	Double lip seal 25mm x 67mm (from Feb 2014)	30/248/1A	2
29	Rear Wheel Inner Taper Bearing (30205)	30/249/1	2
30	1” male/female ball valve	30/2426/1	1
31	Rear Wheel Outer taper bearing (30204)	30/257/1	2
32	M18 Castle nut	30/252/1	2
33	Hub cap–threaded with grease nipple (from Feb 2014)	30/253/1A	2
34	Split pin	30/251/1	2
35	M12 x 110 bolt, flat, spring, nut	30/238/1	4
36	1” nylon bush	30/025/1	1
37	M6 Grease nipple	30/040/1	6
38	Front wheel mount pin	30/1711/1	1
39	M8 x 20 bolt, flat & spring washer	30/121/1	1
40	Front wheel mount	30/1712/1	1
41	M16 spring washer	30/177/1	1
42	M16 half nut	30/190/1	1
43	Front wheel 15 x 6.00 x 6	30/255/1	1
45	Front wheel acetyl bush	30/1744/1	2
46	M10 x 30 set, flat & spring washers	30/132/1	2
47	Hose guide fork – 2 parts (63-103mm)	30/1820/1	1
48	Front wheel axle	30/1745/1	1
49	M10 x 30 set, flat & spring washer	30/121/1	1
50	Spinning joint seal	30/024/1	1
51	Spinning joint clamp plate	30/1730/1	1
52	Spinning joint hose connector	30/1729/1	1
53	M10 x 35 bolt, flat washer and nut	30/133/1	6
55	Hose guide fork clamp plate	30/1822/1	1
56	M10 x 25 csk setscrew	30/276/1	1

Figure 2 Centre Section (R18, R24, R30)

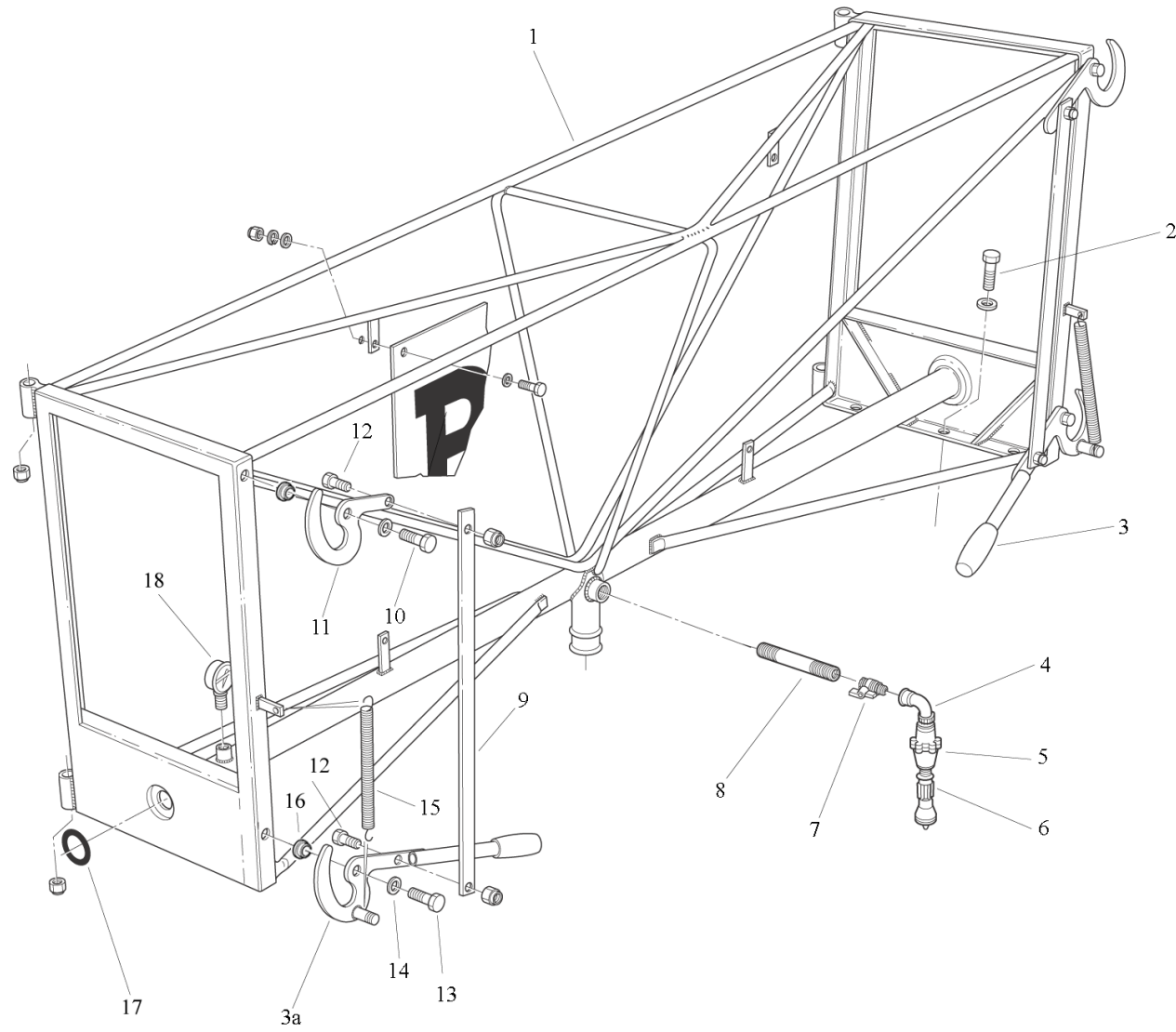


Table 2 Centre Section (R18, R24, R30)

Item	Description	Part No.	Qty
1	Centre section (1.9m)	30/1660/2	1
1a	Centre section (1.5m) – option	30/1667/2	1
1b	Centre section (2.2m) – option	30/1660/2-2.2M	1
2	M10 x 30 bolt	30/132/2	8
3	Locking catch bottom (L/H) – see note 1	30/1503/2	1
3a	Locking catch bottom (R/H) – see note 1	30/1508/2	1
4	¾” Elbow (M/F)	30/201/2	1
5	Nelson pressure regulator	See Fig 8	1
6	PCS3000 Assembly complete	See Fig 8	1
7	¾” Ball valve (M/F)	30/202/2	1
8	¾” x 400mm Nipple	30/223/2	1
9	Link bar – Centre Section	30/1668/2	2
10	M10 x 35 10.9 bolt	30/267/2	2
11	Locking catch – top	30/1501/2	2
12	M8 x 30 bolt	30/229/2	2
13	M10 x 35 bolt	30/133/2	2
14	M10 Special washer	30/1357/2	2
15	Catch spring	30/083/2	2
16	Bush	30/1355/2	2
17	2” O Ring seal	30/1314/2	2
18	Pressure gauge	30/200/2	1
1c	Centre section complete (1.9m) – see note 2	30/1660/2COMPLETE	1
1d	Centre section complete (1.5m) – see note 2	30/1667/2COMPLETE	1
1e	Centre section complete (2.2m) – see note 2	30/1660/2-2.2MCOMP	1

Notes

- (1) Please see page 6 – Folding and Unfolding Procedure to confirm whether it is the left or right hand side required.
- (2) Includes all component parts except the Nelson regulator & PCS3000 assembly.

Figure 3 First Section

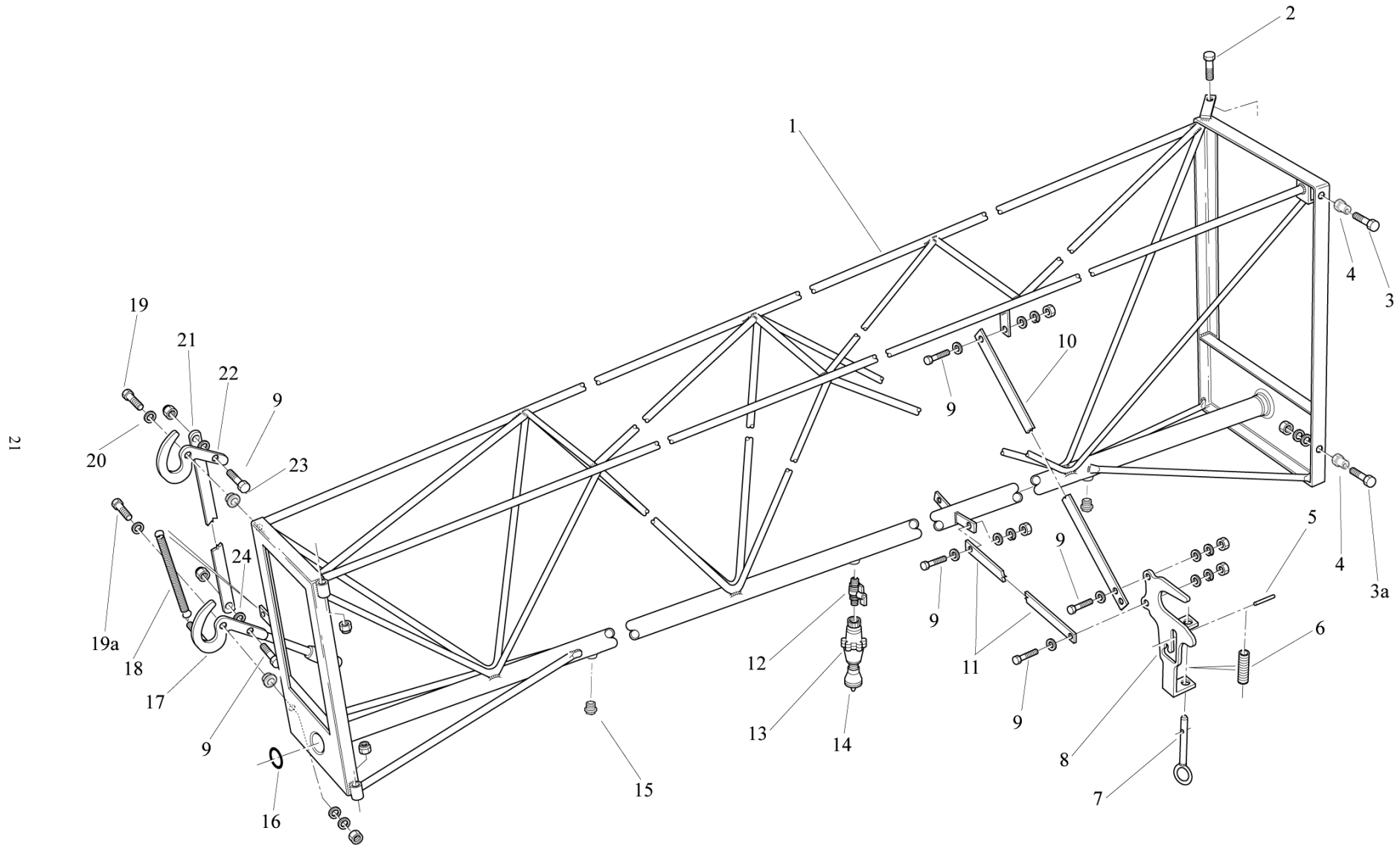


Table 3 First Section (R18, R24, R30)

Item	Description	Part No.	Qty
1	Boom first section (R/H) – see note 1	30/1507/3	1
1a	Boom first section (L/H) – see note 1	30/1500/3	1
2	M12 x 70 bolt	30/147/3	1
3	M10 x 35 10.9 bolt	30/267/3	1
3a	M10 x 40 bolt, flat/spring & nut	30/134/3	1
4	M10 Catch cam	30/1057/3	2
5	Roll pin boom locking pin	30/031/3	1
6	Support bracket spring	30/085/3	1
7	Support bracket locking pin	30/1506/3	1
8	Boom support bracket	30/1505/3	1
9	M8 x 25 set	30/122/ 3	6
10	Top strut (R24 & R30)	30/1509/3	1
10	Top strut (R18)	18/1504/3	1
11	Bottom strut (R24 & R30)	30/1504/3	1
11	Bottom strut (R18)	18/1817/3	1
12	¾” Ball valve (Male/Male)	30/246/3	1
13	Nelson Regulator	See Fig 8	1
14	S3000 Assembly complete	See Fig 8	1
15	¾” Bung	30/243/3	1
16	2” O ring seal	30/1314/3	1
17	Locking catch – first bottom (R/H) – see note 1	30/1508/3	1
17a	Locking catch – first bottom (L/H) – see note 1	30/1503/3	1
18	Catch spring	30/083/3	1
19	M10 x 35 10.9 bolt	30/267/3	1
19a	M10 x 40 bolt, flat/spring & nut	30/134/3	1
20	M10 Special washer	30/1357/3	2
21	Link bar – first section	30/1502/3	1
22	Locking catch – first top	30/1501/3	1
23	M10 Top Hat Bush	30/1355/3	2
24	M8 Flat washer	30/170/3	2
1b	Boom 1st Section (R/H) – Complete – see notes 1 & 2	30/1507/3COMPLETE	1
1c	Boom 1st Section (L/H) – Complete – see notes 1 & 2	30/1500/3COMPLETE	1

Notes

- (1) Please see page 6 – Folding and Unfolding Procedure to confirm whether it is the left or right hand side required.
- (2) Includes all component parts except the Nelson regulator & S3000 assembly.

Figure 4 Second Section (R24 & R30 only)

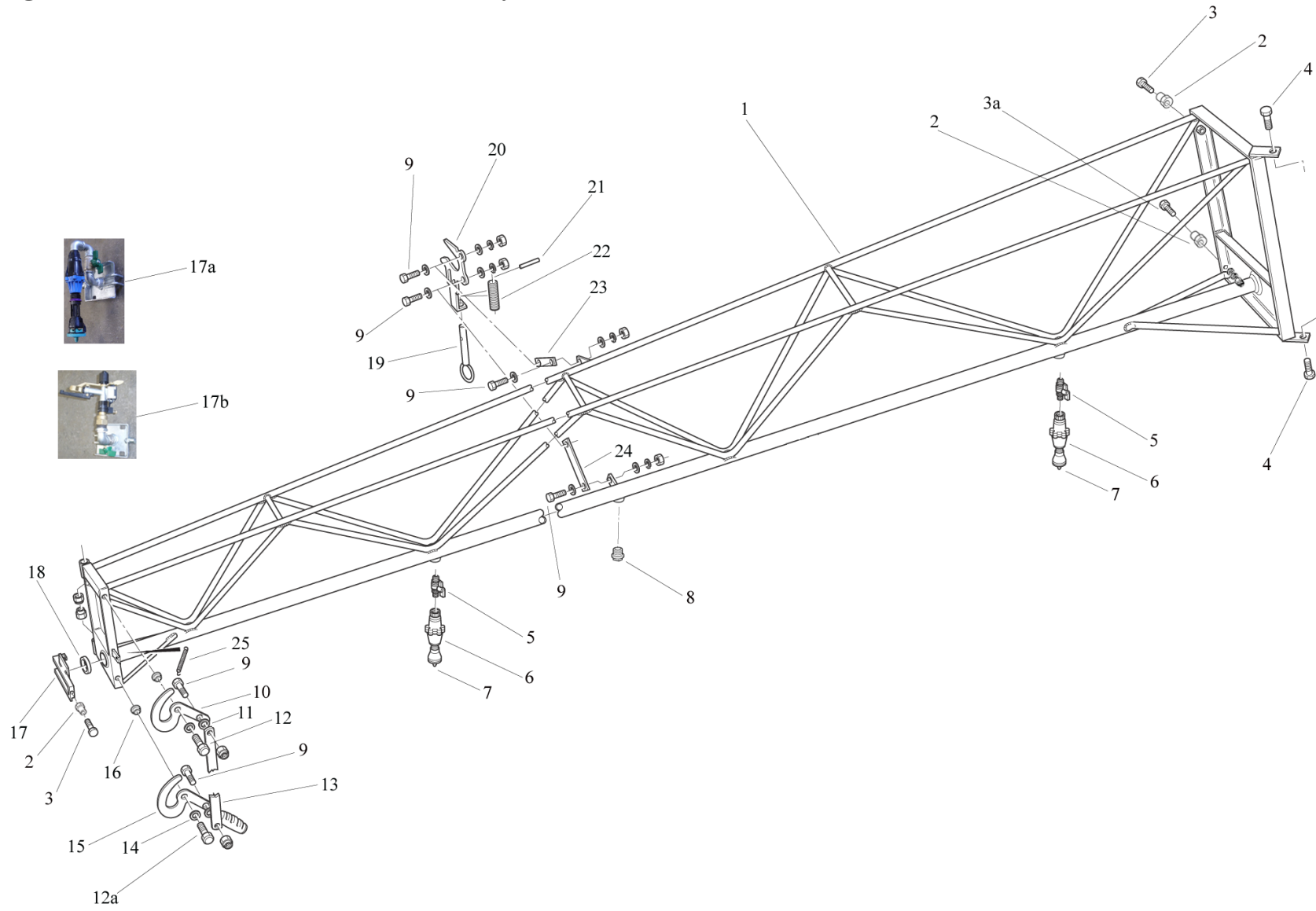


Table 4 Second Section (R24, R30)

Item	Description	Part No.	Qty
1	Boom second section (R/H) - see note 1	30/1756/4	1
1a	Boom second section (L/H) - see note 1	30/1750/4	1
2	M10 Catch cam	30/1753/4	2
3	M10 x 35 bolt 10.9	30/267/4	1
3a	M10 x 40 bolt flat/spring & nut	30/134/4	1
4	M10 x 50 bolt	30/139/4	2
5	¾" Ball valve (M/M)	30/246/4	2
6	Nelson Pressure Regulator	See Fig 8	2
7	S3000 Assembly complete	See Fig 8	2
8	¾" Bung	30/243/4	2
9	M8 x 25 bolt	30/122/4	6
10	Locking catch – top	30/1501/4	1
11	M8 Flat washer	30/170/4	2
12	M10 x 35 bolt 10.9	30/267/4	1
12a	M10 x 35 bolt	30/133/4	1
13	Link bar – second section	30/1758/4	1
14	M10 Special washer	30/1357/4	2
15	Locking catch – bottom (R/H) – see note 1	30/1757/4	1
15a	Locking catch – bottom (L/H) – see note 1	30/1755/4	1
16	M10 Top hat bush	30/1355/4	2
17a	Blanking plate c/w PCS3000 (pair)	30/1751/4A	1
17b	Blanking plate c/w Teso Jumbo 6° (pair)	30/1751/4B	1
18	2" O ring seal	30/1314/4	1
19	Support bracket locking pin	30/1506/4	1
20	Boom support bracket	30/1505/4	1
21	Roll pin boom locking pin	30/031/4	1
22	Support bracket spring	30/085/4	1
23	Top Strut – second section (R30 only)	30/1752/4	1
23	Top Strut – second section (R24 only)	24/1815/4	1
24	Bottom Strut – second section (R30 only)	30/1504/4	1
24	Bottom Strut – second section (R24 only)	24/1815/4	1
25	Locking catch spring	30/086/4	1
1b	Boom 2 nd Section (R/H) complete – see notes 1 & 2	30/1756/4COMPLETE	1
1c	Boom 2 nd Section (L/H) complete – see notes 1 & 2	30/1750/4COMPLETE	1

Note

- (1) Please see page 6 – Folding and Unfolding Procedure to confirm whether it is the left or right hand side required.
- (2) Includes all component parts except the Nelson regulator & S3000 assembly.

Figure 5 R30 End Section

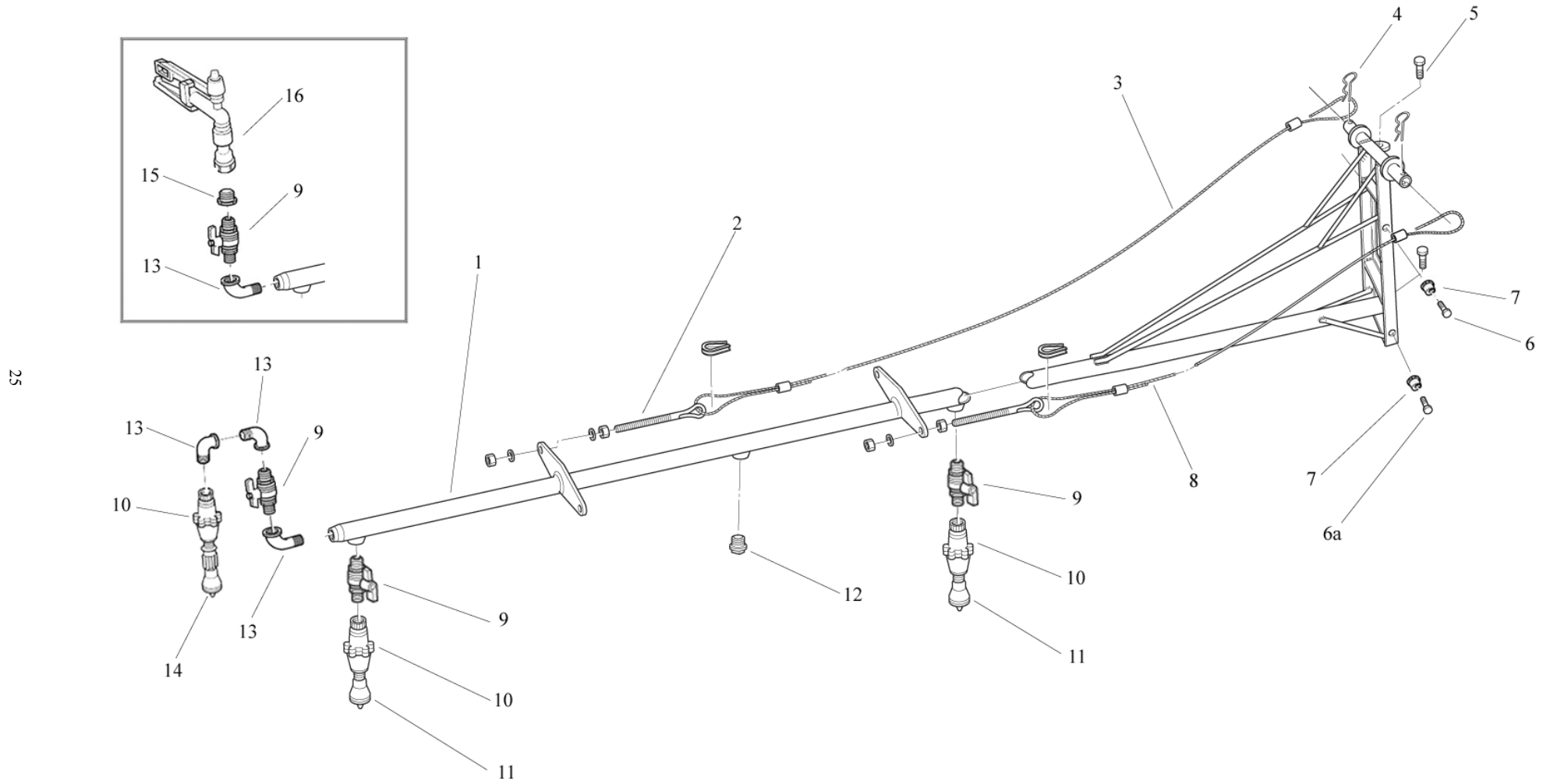


Table 5 R30 End Section

Item	Description	Part No.	Qty
1	R30 End section (R/H) – see note 1	30/1556/5	1
1a	R30 End section (L/H) - see note 1	30/1555/5	1
2	‘J’ bolt	30/242/5	1
3	Wire rope (long)	30/1552/5	2
4	4mm ‘R’ clip	30/013/5	2
5	M10 x 50 bolt	30/139/5	2
6	M10 x 35 bolt 10.9	30/267/5	1
6a	M10 x 35 bolt	30/133/5	1
7	M10 Catch cam	30/1057/5	2
8	Wire rope (short)	30/1554/5	2
9	¾” Ball valve (M/M)	30/246/5	3
10	Pressure regulator	See Fig 8	3
11	S3000 Assembly complete	See Fig 8	2
12	¾” Bung	30/243/5	1
13	¾” 90° Elbow (M/F)	30/201/5	3
14	PCS3000 Assembly complete	See Fig 8	1
15	1” x ¾” reducer bush	30/244/5	1
15a	1¼” x ¾” reducer bush	30/260/5	1
16	Sime Jumbo Teso 6° Sprinkler	See Fig 9	1
16a	Sime K1 Teso 8° Sprinkler	See Fig 10	1
1b	R30 End section (R/H) Complete – see notes 1 & 2	30/1556/5COMPLETE	1
1c	R30 End section (L/H) Complete – see notes 1 & 2	30/1555/5COMPLETE	1

Notes

- (1) Please see page 6 – Folding and Unfolding Procedure to confirm whether it is the left or right hand side required.
- (2) Includes all component parts except the Nelson regulator, S3000 & PCS3000 assembly.

Figure 8. NELSON PRESSURE REGULATOR SPRAY JET SERIES

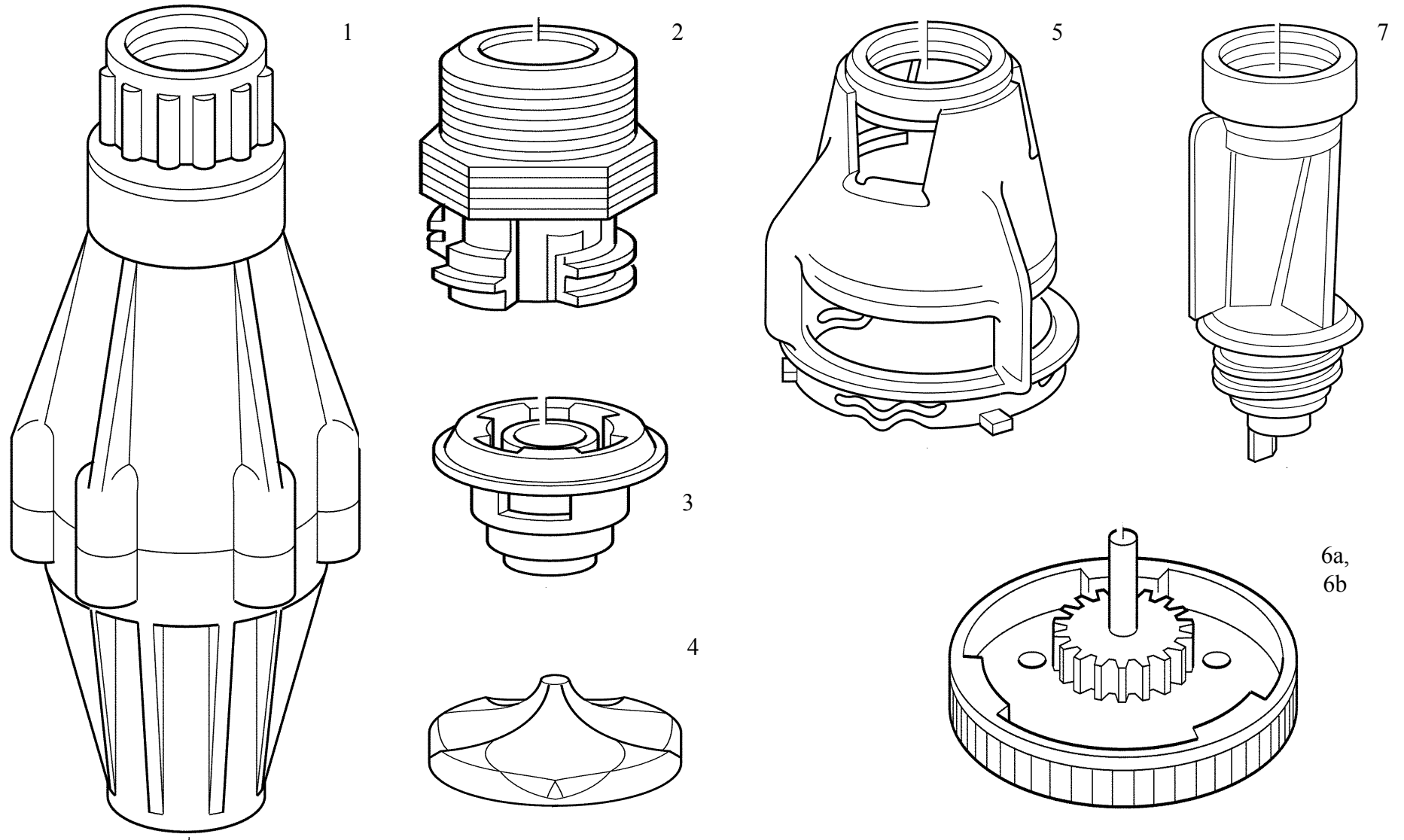


Table 8 NELSON PRESSURE REGULATOR AND SPRAY JET SERIES

Item	Description	Part No.
1	Nelson pressure regulator (specify 10, 20 or 30psi)	NELS215
2	Nelson pressure regulator adapter	NELS210
3	Nelson S3000 nozzle (specify number)	NELS211
4	Nelson Rotating disc (specify colour)	NELS213
5	Nelson S3000 body	NELS212
6a	Nelson S3000 spinner motor cap assembly	NELS214
6b	Nelson R3000 rotator motor cap assembly	NELS218
7	Nelson PC3000 part circle deflector	NELS245
	Complete PCS3000 (specify nozzle size)	NELS221
	Complete S3000 (specify nozzle size + disc colour)	NELS217
8	Nelson R55A (see table 8A below for R55A details & nozzle sizes)	See table 8A

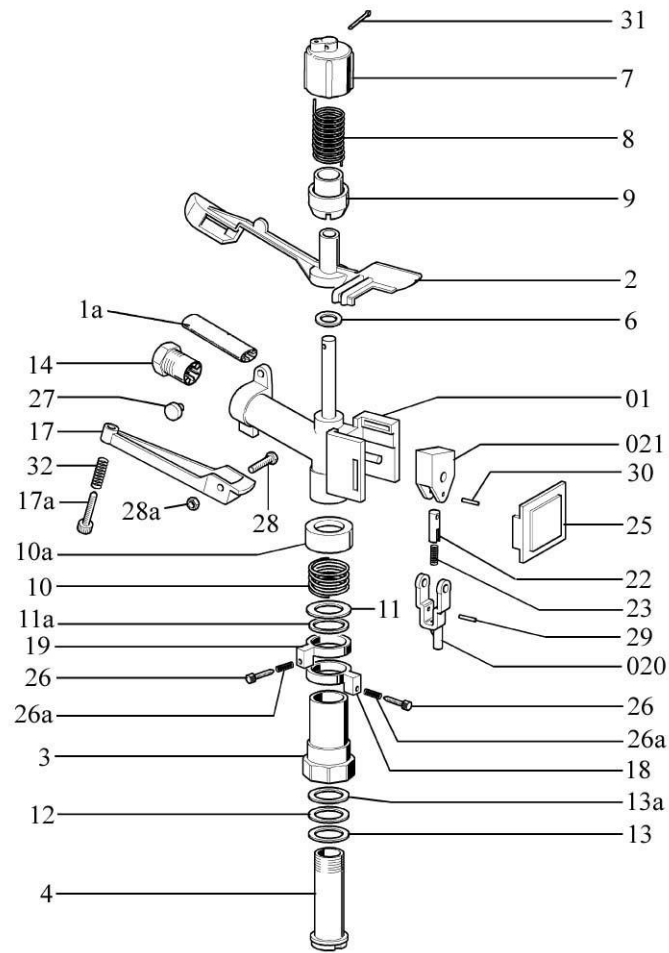


32

Table 8A - R55A Assembly (options)

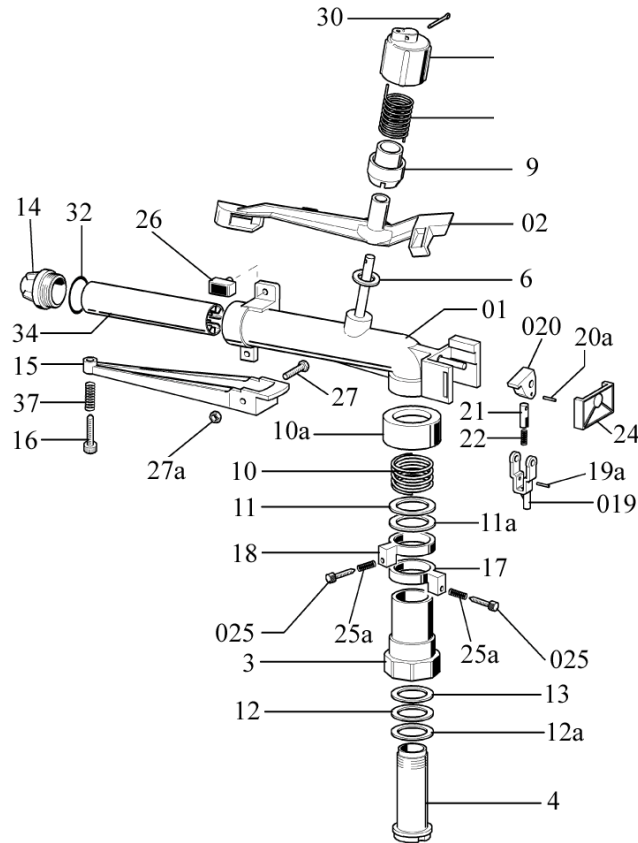
Item	Description (select 1-5 for assembly size or 6-10 for nozzle only)	Part No.	Quantity
1	Nelson R55A c/w #60 Red Nozzle - 1.25" MBSP	NELS11793-011	2
2	Nelson R55A c/w #70 Yellow Nozzle - 1.25" MBSP	NELS11793-012	2
3	Nelson R55A c/w # 80 Green Nozzle - 1.25" MBSP	NELS11793-013	2
4	Nelson R55A c/w # 90 Blue Nozzle - 1.25" MBSP	NELS11793-014	2
5	Nelson R55A c/w #52 Nozzle - 1.25" MBSP	NELS11793-015	2
6	Nelson R55 Nozzle # 60 Red - 1.25" MBSP	NELS11790-011	2
7	Nelson R55 Nozzle # 70 Yellow - 1.25" MBSP	NELS11790-012	2
8	Nelson R55 Nozzle # 80 Green - 1.25" MBSP	NELS11790-013	2
9	Nelson R55 Nozzle # 90 Blue - 1.25" MBSP	NELS11790-014	2
10	Nelson R55 Nozzle #52 - 1.25" MBSP	NELS11790-015	2

Figure 9. SIME JUMBO Teso 6° Sector Sprinkler



Item	Description	Part No.	Qty
01	Sprinkler body	R10224	1
1a	Inner Sleeve	R301086	1
2	Sectoring arm	R30598	1
3	External rotator body	R30273	1
4	Internal rotator body	R30387	1
6	Thrust washer	R30296	1
7	Top cover	R30297	1
8	Spring	R30298	1
9	Spring tensioner	R30299	1
10	Bottom spring	R30281	1
10a	Spring cover	R30284	1
11	Thrust washer	R30391	1
11a	'O' ring	R30276	1
12	'O' ring	R30392	1
13	Thrust washer	R30391	1
13a	Thrust washer	R30393	1
14	Nozzle	R30280	2
17	Jet breaker mount	R30307	1
17a	Jet breaker screw	R30308	1
18	Sector adjuster	R30288	1
19	Sector adjuster	R30288	1
020	Reversing arm complete	R10102	1
021	Sector striking block complete	R10103	1
22	Spring stiffener	R30313	1
23	Spring	R30314	1
25	Back cover	R30316	1
26	Locking screw	R30317	2
26a	Spring	R30325	2
27	Spacer	R30319	1
28	Nut and bolt	R30320	1
28a	Nut and bolt	R30321	1
29	Reversing pivot pin	R30322	1
30	Pivot pin	R30323	1
31	Split pin	R30324	1
32	Spring	R30325	1

Figure 10. SIME K1 Teso 8° Sector Sprinkler



Item	Description	Part No.	Qty
01	Sprinkler body	R10195	1
02	Sectoring arm	R10243	1
3	External rotator body	R30344	1
4	Internal rotator body	R30345	1
6	Top arm thrust washer	R30347	1
7	Top cover	R30348	1
8	Top arm spring	R30349	1
9	Top arm spring tensioner	R30350	1
10	Bottom spring	R30300	1
10a	Spring cover	R30351	1
11	Thrust washer cover	R30352	1
11a	Thrust washer	R30354	1
12	Thrust washer	R30354	1
12a	Thrust washer	R30355	1
13	Rubber seal	R30356	1
14	Nozzle	R30357	3
015	Jet breaker mount assembly	R10108	1
15	Jet breaker mount	R30358	1
16	Jet breaker screw	R30359	1
17	Sector adjuster	R30360	1
18	Sector adjuster	R30360	1
019	Reversing pivot arm (complete)	R10106	1
19a	Reversing pivot pin	R30363	1
020	Striking block (complete)	R10107	1
20a	Pivot pin	R30322	1
21	Spring stiffener	R30365	1
22	Reversing arm spring	R30366	1
24	Back cover	R30368	1
025	Sector adjuster screw	R10429	2
25a	Sector adjuster screw spring	R30325	2
26	Sector arm stop	R30369	1
27	M5 x22 setscrew	R30370	1
27a	M5 nut	R30321	1
30	Split pin	R30371	1
32	'O' ring	R30372	1
34	Inner sleeve	R30373	1
37	Jet breaker spring	R30374	1

Figure 11. R18 - R30 Lift Frame Kit

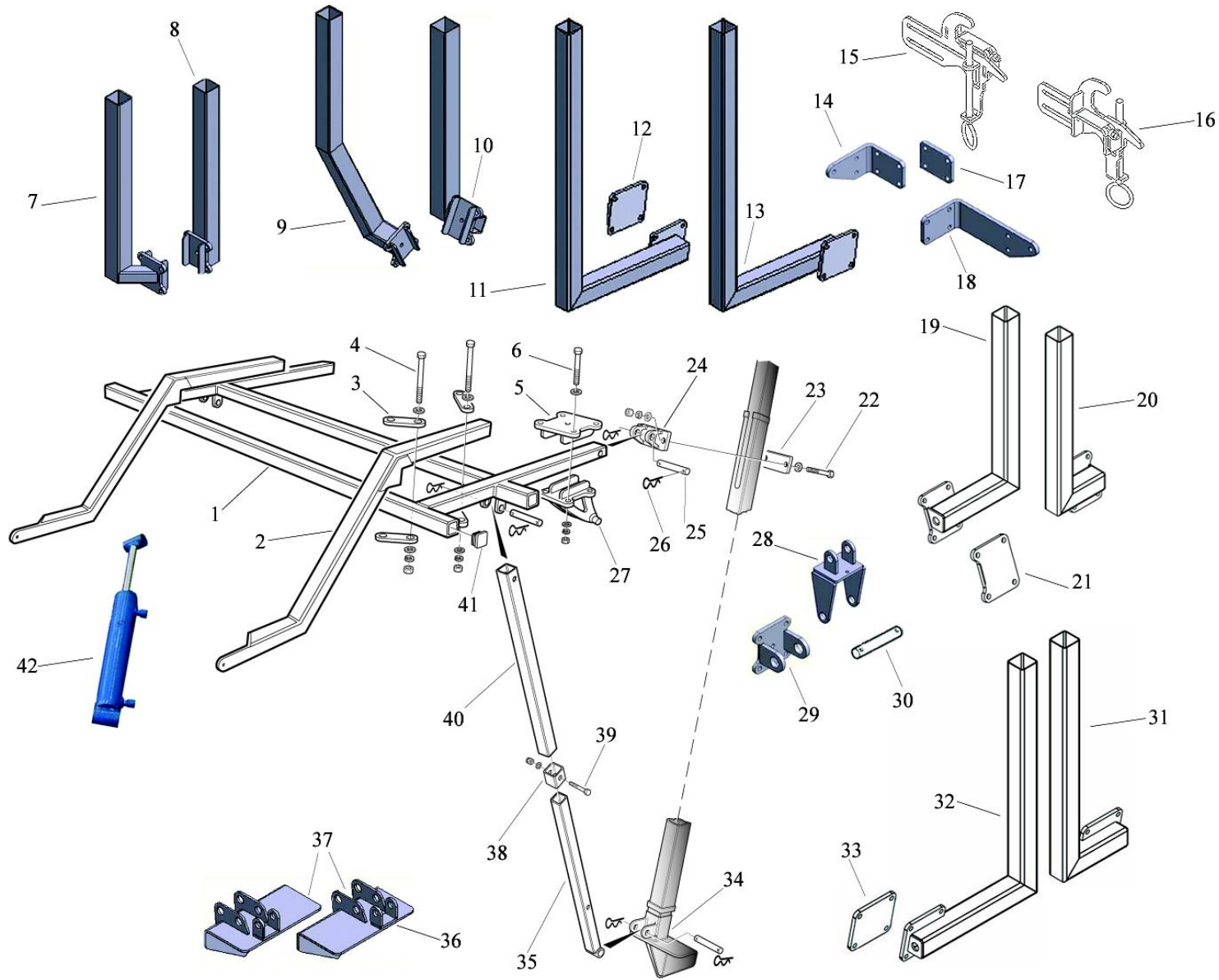


Table 11. R18 - R30 Lift Frame Kit for Briggs Range of Hose Reels

Item	Description	Part No.	Qty	Item	Description	Part No.	Qty
1	Lift Frame (please specify Hose Reel Size)	LF2934-39	1	22A	M10 x 110 bolt (R2-R2/1)	LF2914	8
2	Lift Frame Cranked Arm	LF2900	2	23	Clevis back plate (specify Hose Reel)	LF2973-4	2
3	Clamp Plates	LF2903	8	24	R3 Lift frame clevis	LF2962	2
4	M12 x 170 bolt	LF2904	16	25	Lift Frame pin	LF2912	6
5	Lift Frame Stop Clamp Plate	LF2909	1	26	R Clip	LF2913	12
6	M10 x 100 bolt	FAST14422	4	27	Lift frame stop	LF2907	1
7	R1/1 MB Support Arm (Gearbox side)	LF2985	1	28	VR3 & VR4 Lift Frame Clevis	LF2965	2
8	R1/1 MB Support Arm (Chain drive side)	LF2984	1	28A	VR5 Lift Frame Clevis	LF2964	1
9	R2 MB Support Arm (Chain drive side)	LF2987	1	29	R2 & R2/1 Lift frame clevis	LF2961	2
10	R2 MB Support Arm (Gearbox side)	LF2986	1	30	VR3 & VR4 Lift Frame Clevis Pin	LF2968	2
11	R2/1 & R3 MB Support Arm (Gearbox side)	LF2988	1	30A	VR5 Lift Frame Clevis Pin	LF2967	2
12	R2/1-R3 MB Support Arm Clamp Plate	LF3000	2	31	VR5 Support Bracket Arm (Chain drive side)	LF3025	1
13	R2/1 – R3 MB Support Arm (Chain drive side)	LF2989	1	32	VR5 Support Bracket Arm (Gearbox side)	LF3024	1
14	MB Support Bracket Mount (Chain drive side)	LF2920-1	1	33	VR5 Support Bracket Arm Clamp Plate	LF3033	2
15	R30 Support Bracket (gearbox side)	LF3052	1	34	Rear stabiliser foot (please specify Hose Reel size and the side required)	*	2
16	R30 Support Bracket (scroll chain side)	LF3053	1	35	Inner leg (please specify Hose Reel size)	LF2945-57	2
17	MB Support Bracket Mount Clamp Plate	LF2926	2	36	Black weld on clevis'	LF2910	2
18	MB Support Bracket Mount (Gearbox side)	LF2922-5	1	37	VR Rear stabiliser foot (please specify Hose Reel size and the side required)	*	2
19	VR3 Support Bracket Arm (Gearbox side)	LF3020	1	38	Upper leg stop	LF2905	2
19A	VR4 Support Bracket Arm (Gearbox side)	LF3022	1	39	M12 x 65 bolt	LF2906	2
20	VR3 Support Bracket Arm (Chain drive side)	LF3021	1	40	Upper leg (short)	LF2902	2
20A	VR4 Support Bracket Arm (Chain drive side)	LF3023	1	41	Plastic end cap (please specify Hose Reel size)	LF2911	2 or 4
21	VR3 & 4 Support Bracket Arm Clamp plate	LF3032	2	42	R1/1 Hydraulic Ram	LF2932	2
22	M12 x 120 bolt (R3)	LF2978	4				

* Please refer to Hose Reel manual for part numbers

